

Canature®

BEST CHOICE

▲
INNOVATIVE
WATER
PROOF



BNT 95 Control Valve

User Friendly High Flow Performance!

- High Service Flow Rate: 45 GPM
- High Backwash Flow Rete: 40 GPM
- Water Proof
- Large Color Display
- Less Costs Than Same Class Valves



Five Years Warranty

BNT 95 Control Valve

User Friendly High Flow Performance!

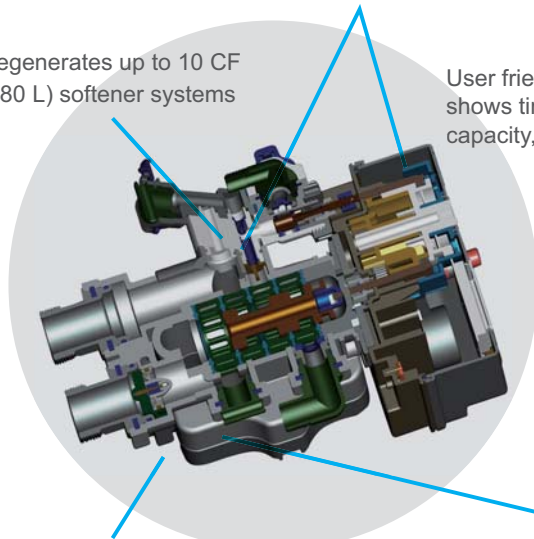
Highlights:

Reliable electronic sensors, piston, seals and spacer technology

Time saving quick connects on all connections for easy installation including power cable

Regenerates up to 10 CF (280 L) softener systems

User friendly large color display shows time of day, total remaining capacity, and flow indication



Integrated turbine meter



Additional access ports with quick connect clips for easy sample points

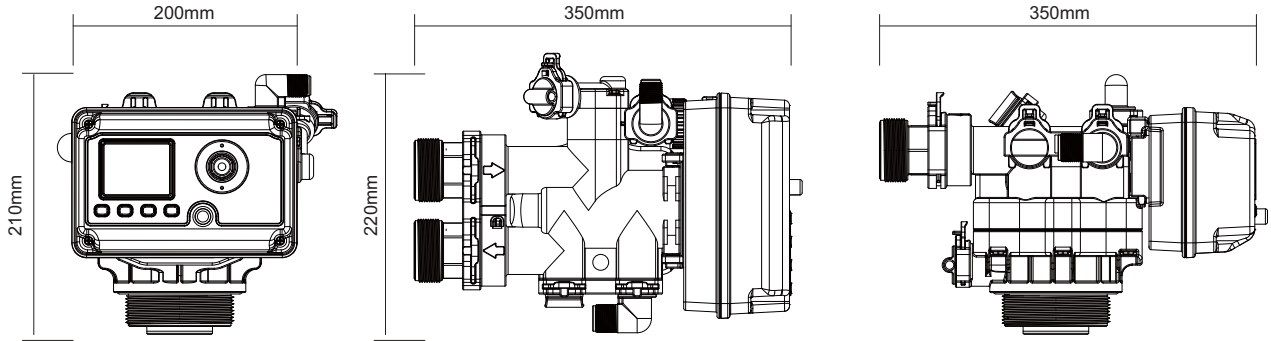
Noryl PPO High Strength Material

Features:

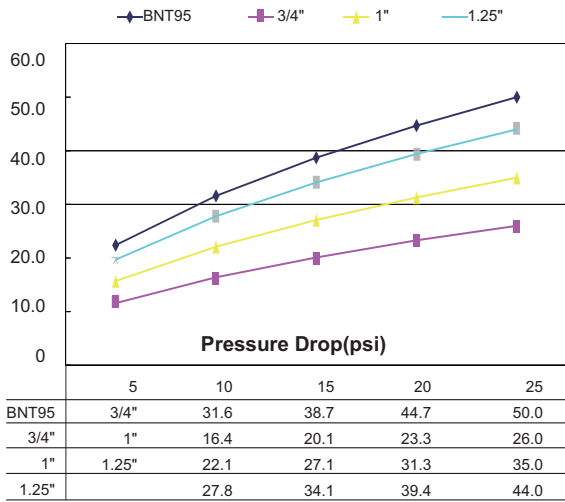
- Exclusive Canature control valve with reliable electronic sensors, piston, seals and spacer technology
- Water proof power head enclosure
- Up to 50.0 GPM flows (valve only) for commercial softening and filtration applications
- Regenerates up to 10 CF (280 L) softener systems
- Time saving quick connects on all connections for easy installation including power cable
- Additional access ports with quick connect clips for easy sample points
- Fully adjustable cycle times
- Meter Immediate, Meter Delayed, Meter with Day Override, and Calendar Clock mode
- Integrated turbine meter
48 hour self charging battery back-up keeps time-of-day stored while program settings are kept in permanent memory
- User friendly large color display shows time of day, total remaining capacity, and flow indication
- Simple to set program settings
- Uses less power than an alarm clock (Less than \$2 annually)

Specifications	
Valve Body Material	Noryl (PPO)
Plumbing Connections	1", 1.25", 1.5" BSP, NPT
Tank Thread	2.5", 4"
Adjustable Cycles	Yes
Regeneration	Down Flow
Meter Accuracy	+/-5%
Maximum Meter Capacity	99,999 GAL
Top Distributor	1.05", 2"
Drain Line	3/4" BSP, NPT
Brine Line	1/2" BSP, NPT
Flow Rates (Valve Only 50 psi inlet)	
Continuous (15 psi drop)	38.7 GPM
Peak (25 psi drop)	50.0 GPM
Max. Backwash (25 psi drop)	35.8 GPM
Cv	10.0
Typical Applications	
Softeners	up to 24" Diameter
Filters	up to 24" Diameter
Electrical	
Input	110/220V 50/60Hz
Output	12V AC 50/60Hz 410mA
Certification	cUL
Operation Ratings	
Max. Working Pressure	20 - 125 psi
Max. Temperature	34F - 110F
Additional Information	
Gross Weight	14.5kgs

INNOVATIVE WATER PROOF

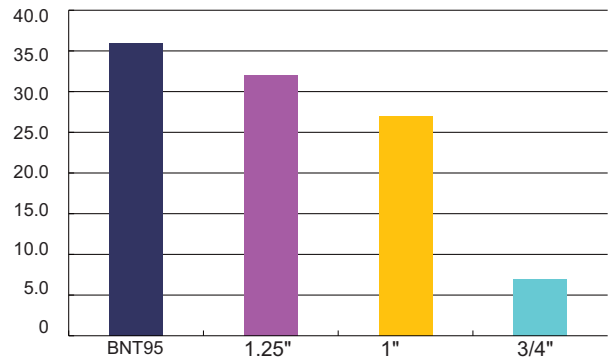


Service Flow Rate



This chart compares to different sizes / classes of valves without showing competitor names.

Maximum Backwash Flow Rate-GPM



BNT 95 valve has the highest back wash flow rate in its class of valves.

User Friendly Program



System Information



Advanced Settings



Holiday Mode

Application of BNT 95 Control Valve

Canature Commercial Water Filters



MULTI-MEDIA FILTERS

MODEL	TANK SIZE	VALVE INLET CONNECTORS - INCH	Service Flow Rates - GPM		BACKWASH FLOW RATE - GPM	DRAIN SIZE - INCH	MEDIA VOLUME - CF	BED DEPTH - INCH
			DOMESTIC	INDUSTRIAL				
CMM-1252	1252	1" / 1.25" / 1.5" NPT	3.8	2.3	11	3/4" NPT	2.0	31.9
CMM-1354	1354	1" / 1.25" / 1.5" NPT	4.4	2.7	14	3/4" NPT	2.5	33.8
CMM-1465	1465	1" / 1.25" / 1.5" NPT	5.2	3.1	16	3/4" NPT	3.0	34.9
CMM-1665	1665	1" / 1.25" / 1.5" NPT	6.8	4.1	22	1" NPT	4.0	35.5
CMM-1865	1865	1" / 1.25" / 1.5" NPT	8.6	5.2	24	1" NPT	5.0	34.9
CMM-2162	2162	1" / 1.25" / 1.5" NPT	11.7	7.0	40	1" NPT	7.0	35.8

CARBON FILTERS

MODEL	TANK SIZE	VALVE INLET CONNECTORS - INCH	Service Flow Rates - GPM		BACKWASH FLOW RATE - GPM	DRAIN SIZE - INCH	MEDIA VOLUME - CF	BED DEPTH - INCH
			NORMAL	3.0 MINUTE EMPTY BED CONTACT TIME				
CAC-1252	1252	1" / 1.25" / 1.5" NPT	3.8	5.0	8	3/4" NPT	2.0	31.9
CAC-1354	1354	1" / 1.25" / 1.5" NPT	4.4	6.2	11	3/4" NPT	2.5	33.8
CAC-1465	1465	1" / 1.25" / 1.5" NPT	5.2	7.5	14	3/4" NPT	3.0	34.9
CAC-1665	1665	1" / 1.25" / 1.5" NPT	6.8	10.0	16	3/4" NPT	4.0	35.5
CAC-1865	1865	1" / 1.25" / 1.5" NPT	8.6	12.5	22	1" NPT	5.0	34.9
CAC-2162	2162	1" / 1.25" / 1.5" NPT	11.7	17.5	24	1" NPT	7.0	35.8
CAC-2472	2472	1" / 1.25" / 1.5" NPT	15.4	24.9	40	1" NPT	10.0	39.0

GREENSAND FILTERS

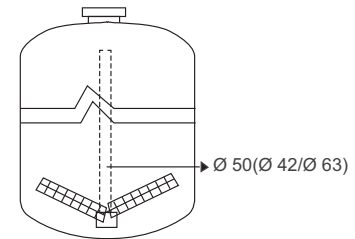
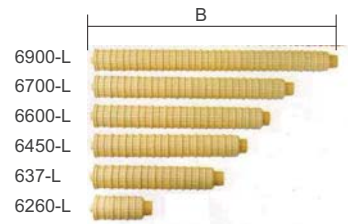
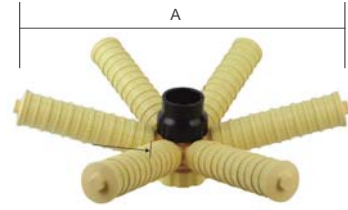
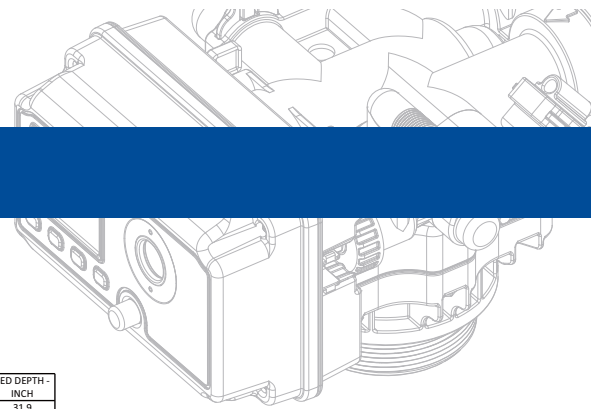
MODEL	TANK SIZE	VALVE INLET CONNECTORS - INCH	Service Flow Rates - GPM		BACKWASH FLOW RATE - GPM	DRAIN SIZE - INCH	MEDIA VOLUME - CF	BED DEPTH - INCH
			NORMAL	PEAK				
CMG-1252	1252	1" / 1.25" / 1.5" NPT	3.8	7.5	8	3/4" NPT	2.0	31.9
CMG-1354	1354	1" / 1.25" / 1.5" NPT	4.4	8.9	11	3/4" NPT	2.5	33.8
CMG-1465	1465	1" / 1.25" / 1.5" NPT	5.2	10.3	14	3/4" NPT	3.0	34.9
CMG-1665	1665	1" / 1.25" / 1.5" NPT	6.8	13.5	16	3/4" NPT	4.0	35.5
CMG-1865	1865	1" / 1.25" / 1.5" NPT	8.6	17.2	22	1" NPT	5.0	34.9
CMG-2162	2162	1" / 1.25" / 1.5" NPT	11.7	23.5	24	1" NPT	7.0	35.8
CMG-2472	2472	1" / 1.25" / 1.5" NPT	15.4	30.8	40	1" NPT	10.0	39.0

BIRM

MODEL	TANK SIZE	VALVE INLET CONNECTORS - INCH	Service Flow Rates - GPM		BACKWASH FLOW RATE - GPM	DRAIN SIZE - INCH	MEDIA VOLUME - CF	BED DEPTH - INCH
			NORMAL	PEAK				
CBM-1252	1252	1" / 1.25" / 1.5" NPT	3.8	7.5	8	3/4" NPT	2.0	31.9
CBM-1354	1354	1" / 1.25" / 1.5" NPT	4.4	8.9	11	3/4" NPT	2.5	33.8
CBM-1465	1465	1" / 1.25" / 1.5" NPT	5.2	10.3	14	3/4" NPT	3.0	34.9
CBM-1665	1665	1" / 1.25" / 1.5" NPT	6.8	13.5	16	3/4" NPT	4.0	35.5
CBM-1865	1865	1" / 1.25" / 1.5" NPT	8.6	17.2	22	1" NPT	5.0	34.9
CBM-2162	2162	1" / 1.25" / 1.5" NPT	11.7	23.5	24	1" NPT	7.0	35.8
CBM-2472	2472	1" / 1.25" / 1.5" NPT	15.4	30.8	40	1" NPT	10.0	39.0

NUETRALIZER

MODEL	TANK SIZE	VALVE INLET CONNECTORS - INCH	Service Flow Rates - GPM		BACKWASH FLOW RATE - GPM	DRAIN SIZE - INCH	MEDIA VOLUME - CF	BED DEPTH - INCH
			NORMAL	PEAK				
CNN-1252	1252	1" / 1.25" / 1.5" NPT	2.3	4.5	8	3/4" NPT	2.0	31.9
CNN-1354	1354	1" / 1.25" / 1.5" NPT	2.7	5.3	11	3/4" NPT	2.5	33.8
CNN-1465	1465	1" / 1.25" / 1.5" NPT	3.1	6.2	14	3/4" NPT	3.0	34.9
CNN-1665	1665	1" / 1.25" / 1.5" NPT	4.1	8.1	16	3/4" NPT	4.0	35.5
CNN-1865	1865	1" / 1.25" / 1.5" NPT	5.2	10.3	22	1" NPT	5.0	34.9
CNN-2162	2162	1" / 1.25" / 1.5" NPT	7.0	14.1	24	1" NPT	7.0	35.8
CNN-2472	2472	1" / 1.25" / 1.5" NPT	9.2	18.5	40	1" NPT	10.0	39.0



Canature Commercial Water Softeners



Specifications	BNT95-250	BNT95-300	BNT95-400	BNT95-500	BNT95-700	BNT95-1000
Factory Settings - High Efficiency (48g/l)						
Salt Used - Kg	3.4	4.1	5.4	6.8	9.5	13.6
Water Used - Liters	384.0	415.4	540.5	0.0	0.0	0.0
System Capacity - Grains	35,000	42,000	56,000	70,000	98,000	140,000
Factory Settings - Standard Capacity (96g/l)						
Salt Used - Kg	6.8	8.2	10.9	13.6	19.1	27.2
Water Used - Liters	509.5	553.4	720.5	0.0	0.0	0.0
System Capacity - Grains	60,000	72,000	96,000	120,000	168,000	240,000
Factory Settings - High Capacity (160 g/l)						
Salt Used - Kg	11.3	13.6	18.1	22.7	31.8	45.4
Water Used - Liters	553.8	597.6	776.8	0.0	0.0	0.0
System Capacity - Grains	75,000	90,000	120,000	150,000	210,000	300,000
System Flow Rate						
Flow Rate @ 15 psi Pressure Drop - gpm	23.9	23	24.8	27.7	28.8	29.6
Flow Rate @ 25 psi Pressure Drop - gpm	32.3	31.3	33.4	36.7	38.2	39.1
Back Wash Flow Rate - gpm	5.0	5.0	7.0	8.0	11.0	17.0
Flow Rate @ 15 psi Pressure Drop - T/H	5.4	5.2	5.6	6.3	6.5	6.7
Flow Rate @ 25 psi Pressure Drop - T/H	7.3	7.1	7.6	8.3	8.7	8.9
Back Wash Flow Rate - T/H	1.1	1.1	1.6	1.8	2.5	3.9
Resin Quantity						
Tank Size	14x65	14x65	16x65	18x65	21x62	24x72
Brine Tank / Cabinet Size (Inches)	ø 585 x 1040mm					
Salt Storage Capacity	250 Kg					
Plumbing Connections	1", 1.25", 1.5" BSP.NPT					
Resin Type	Canature 8% High Capacity Ion Exchange Resin					
Electrical Requirements	120V-240V 50/60 Hz					
Water Temperature	Min 1 - Max. 42 Degrees Celsius					
Water Pressure	Min. 0.14 - Max. 0.86 Mpa					